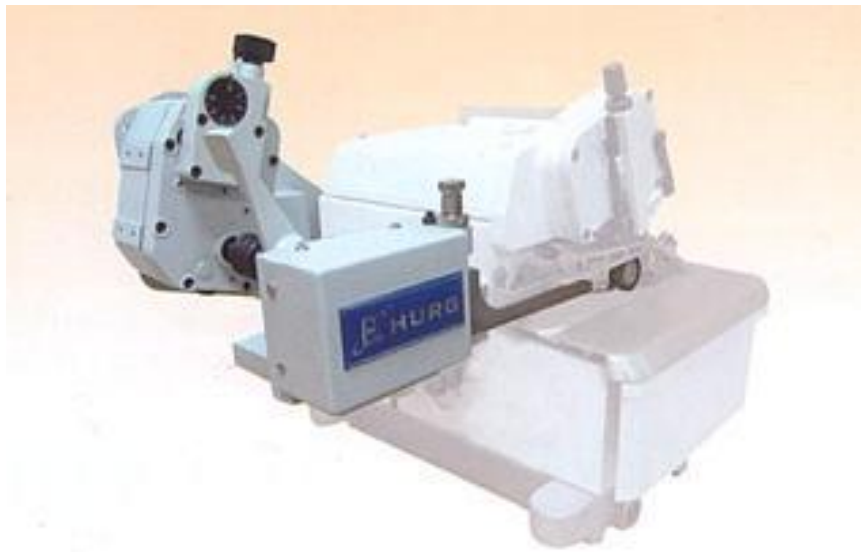




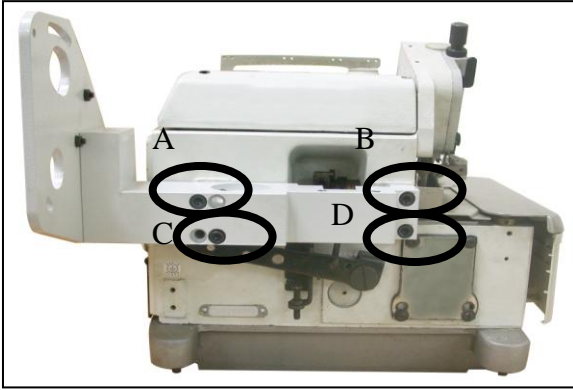
HPG 包縫車用拖輪安裝手冊  
THE INSTRUCTION GUIDE BOOK  
FOR COVERSTITCH PULLER



安裝前,請詳細閱讀安裝說明書

PLEASE READ INSTRUCTIONS & ASSOCIATED DRAWINGS BEFORE INSTALLATION

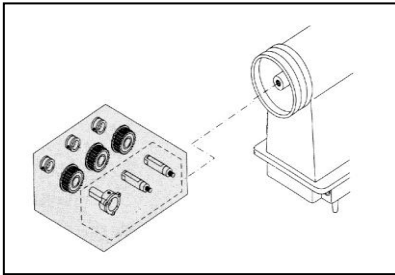
1. 將(A)(B)(C)(D)四個螺絲固定  
Fixed the screw of (A)(B)(C)(D)



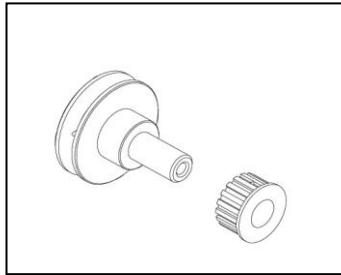
2. 依以下圖(A)及圖(B)安裝皮帶輪  
In accordance to the figure (A) and (B) to install the pulley



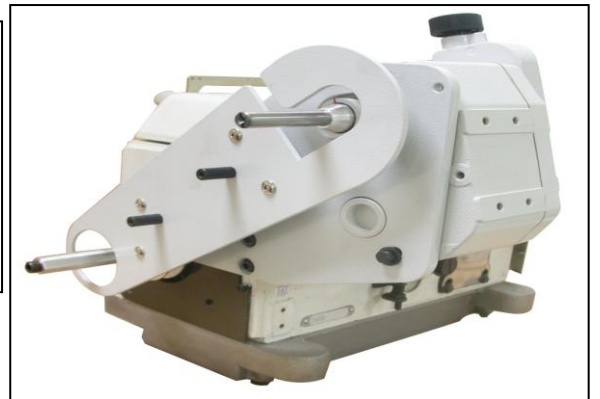
圖(A)  
Figure (A)



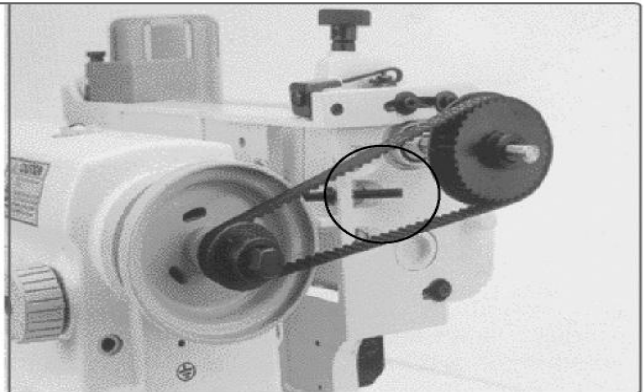
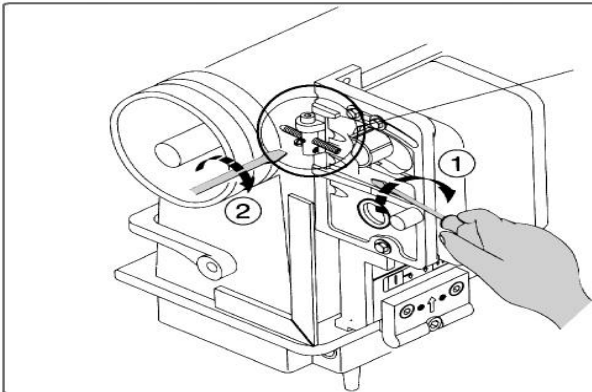
圖(B)  
Figure (B)



3. 安裝皮帶蓋  
Installed the safety belt



4. 時規皮帶鬆緊固定螺絲，可依所需調整皮帶鬆緊  
Timing belt tightening screw. Adjust the timing belt tension as needed.

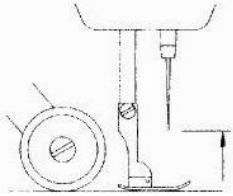


5.

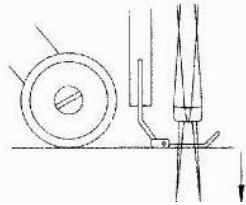
## 入力軸定位

### Adjust input shaft position

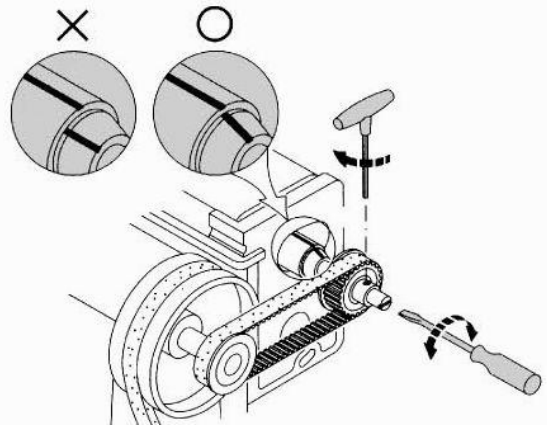
一般針車定位時，  
針車提升至最高點  
General type, needle  
to the toppest position



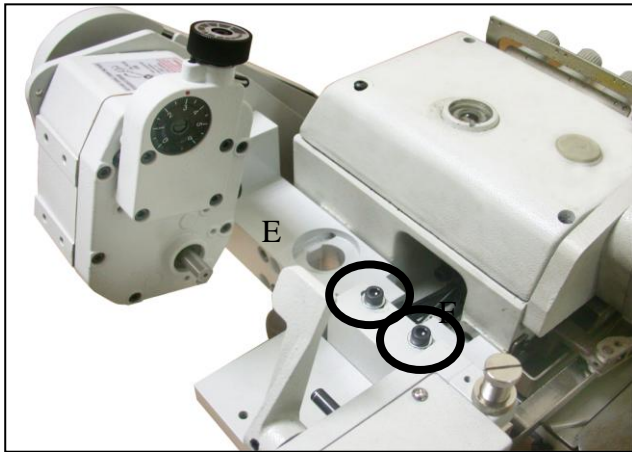
針送針車定位時，  
針車下降至最低點  
Needle feed type, needle  
to the lowest position



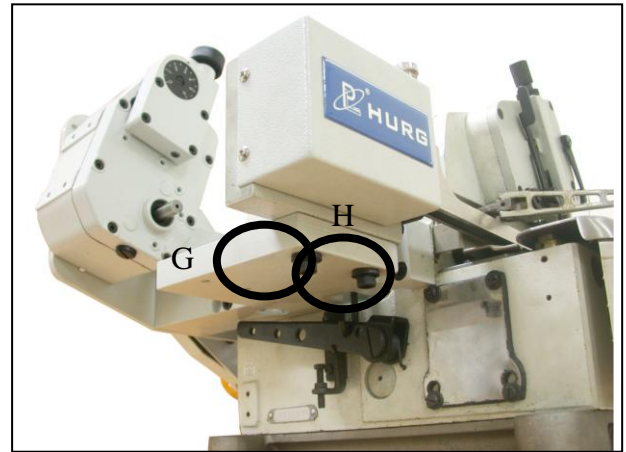
變速機的红線對齊入力軸紅線後，上緊時規齒輪螺絲  
Meet the both red line on transmission input shaft,  
tighten the timing gear screw



6. 螺絲(E),螺絲(F)可調整拖輪左右  
To adjust Screw (E)and(F)



7. 螺絲(G),螺絲(H)可調整拖輪前後  
To adjust Screw (G)and(H)



8. 鎖上萬向接頭即可  
To lock the connection.

