



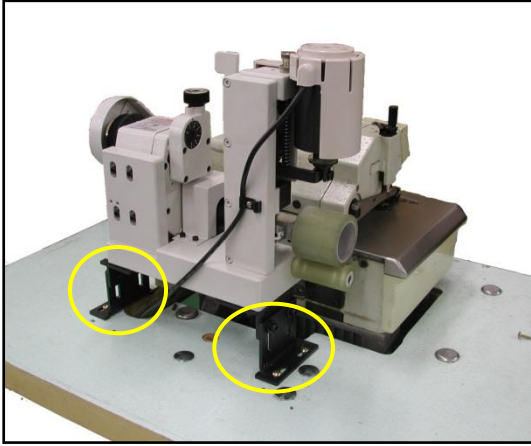
# HPY 單針/雙針車用拖輪安裝手冊 THE INSTRUCTION GUIDE BOOK FOR HPY PULLER



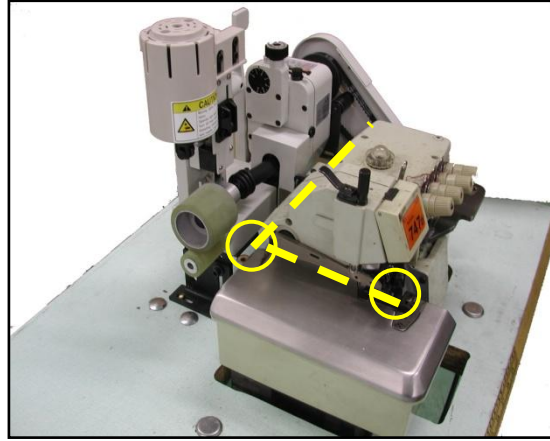
安裝前,請詳細閱讀安裝說明書

PLEASE READ INSTRUCTIONS & ASSOCIATED DRAWINGS BEFORE INSTALLATION

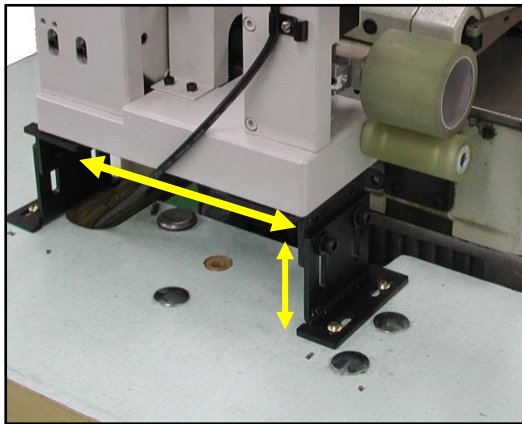
- ① 將拖輪底座固定於車板上  
Fixing the base on the plank.



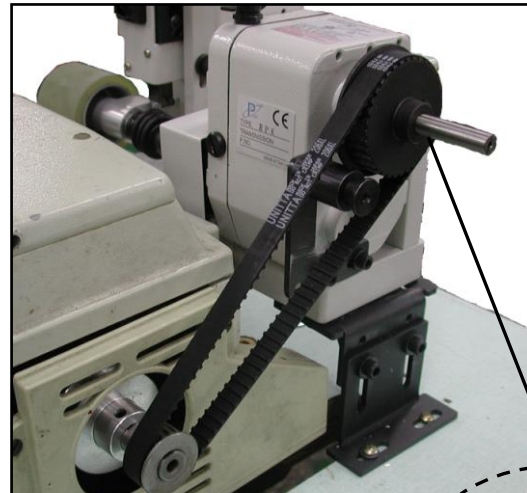
- ② 拖輪與針車呈平行  
Puller is parallel with needle



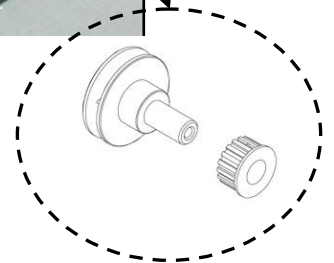
- ③ 利用底座滑槽可上下左右調整拖輪位置  
To adjust puller position by slide



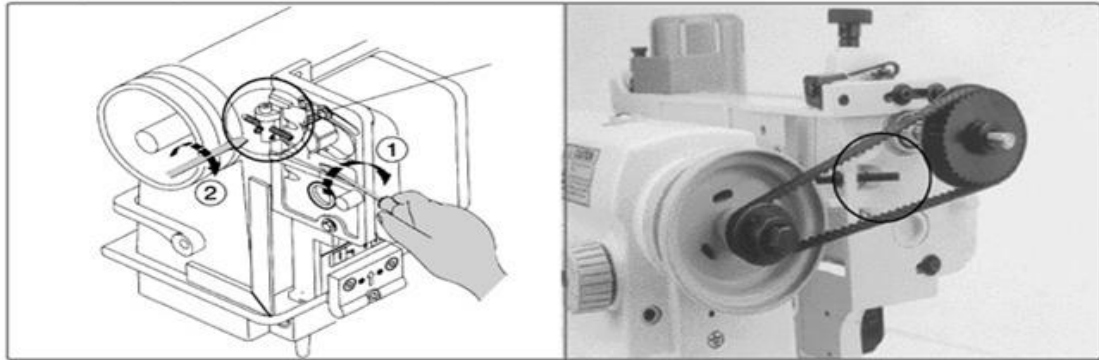
- ④-1 安裝皮帶輪  
Installing the pulleys



- ④-2 固定皮帶蓋  
Installing the belt covering

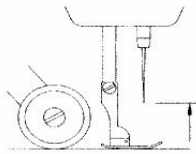


時規皮帶鬆緊固定螺絲，可依所需調整皮帶鬆緊  
Timing belt tightening screw.

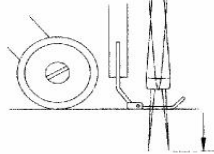


### 入力軸定位 Adjust input shaft position

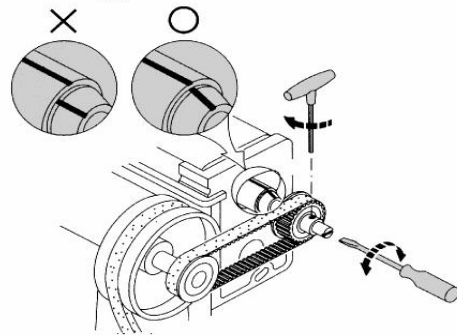
一般針車定位時，  
針車提升至最高點  
General type, needle  
to the toppest position



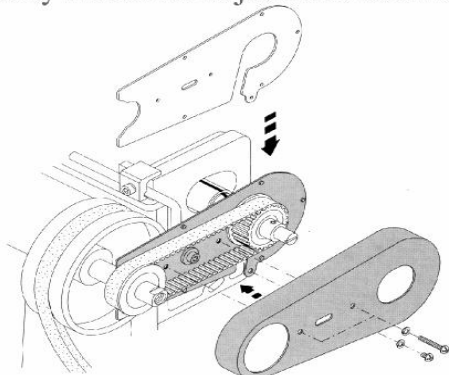
針送針車定位時，  
針車下降至最低點  
Needle feed type,  
needle to the lowest position



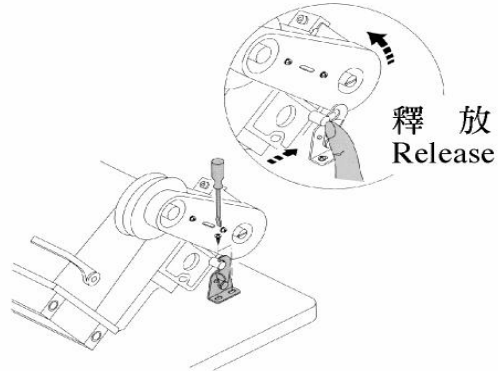
變速機的红線對齊入力軸紅線後，上緊時規齒輪螺絲  
Meet the both red line on transmission input shaft,  
tighten the timing gear screw



### 皮帶蓋安裝固定螺絲 Safety belt cover adjustment screws



### 安全扣 Machine rest latch for maintenance



### 配合針車送料調整 Feeding adjustment

