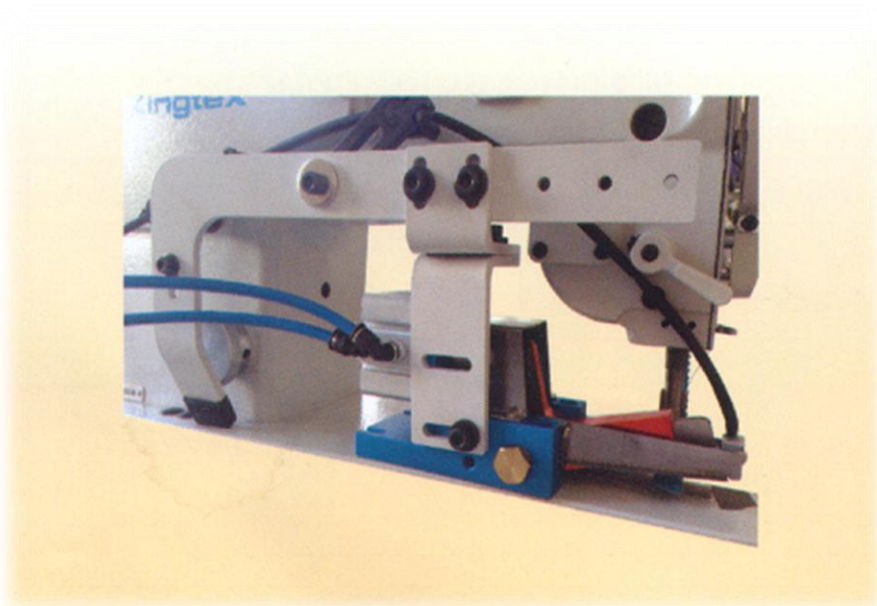




HTCM-L50 自動切帶安裝手冊

THE INSTRUCTION GUIDE BOOK FOR AUTO CUTTING DEVICE



安裝前,請詳細閱讀安裝說明書

PLEASE READ INSTRUCTIONS & ASSOCIATED DRAWINGS BEFORE INSTALLATION

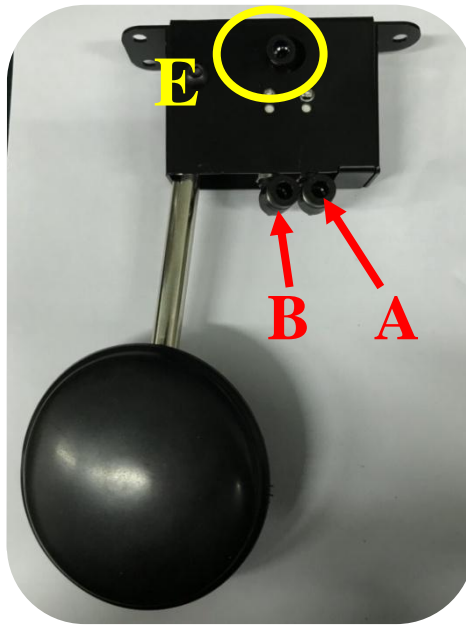
HTCM-L50

快速安裝指南

QUICK INSTALL GUIDE

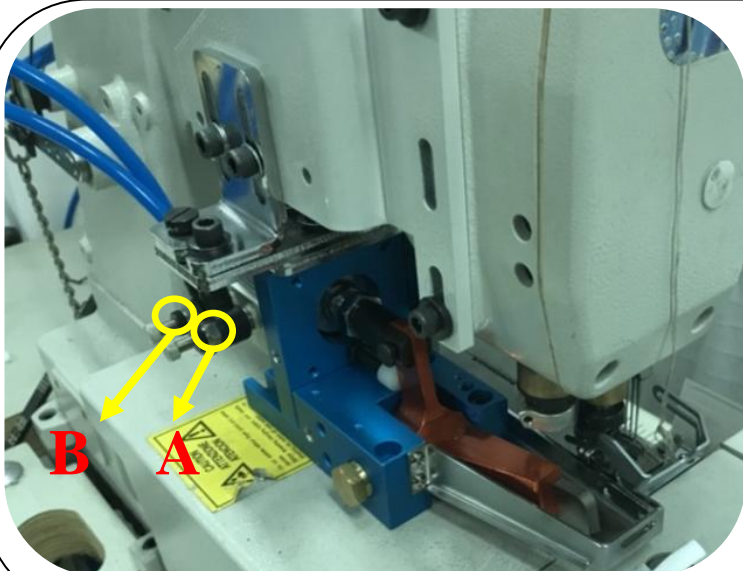


1. 安裝本體並調整距離
Install the implement and adjust the distance



2. 安裝壓力調節器
Install the pressure regulator

3. 安裝 AF-10
Install the Pneumatic cycle switch



4. 連接管線

Connect the pipeline

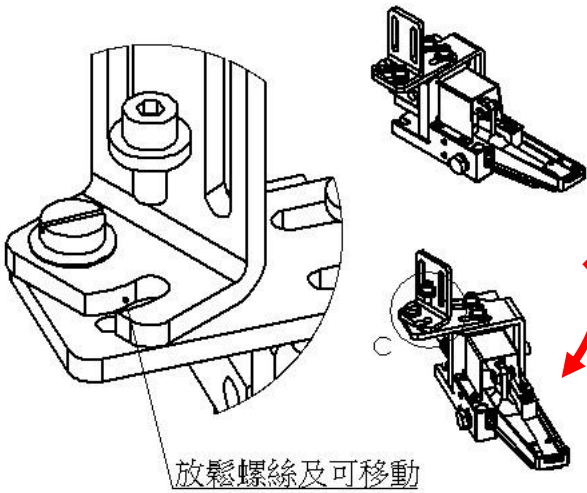
A → A

B → B

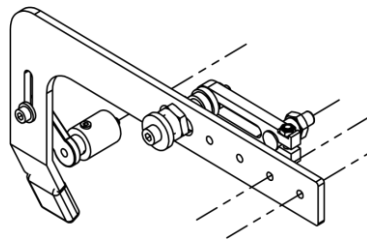
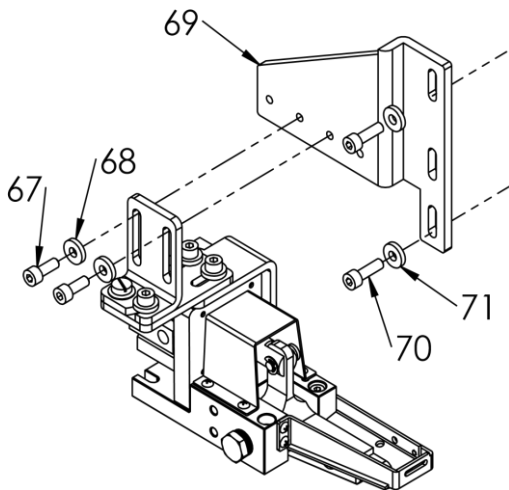
E → E

HTCM-L50 快速安裝指南

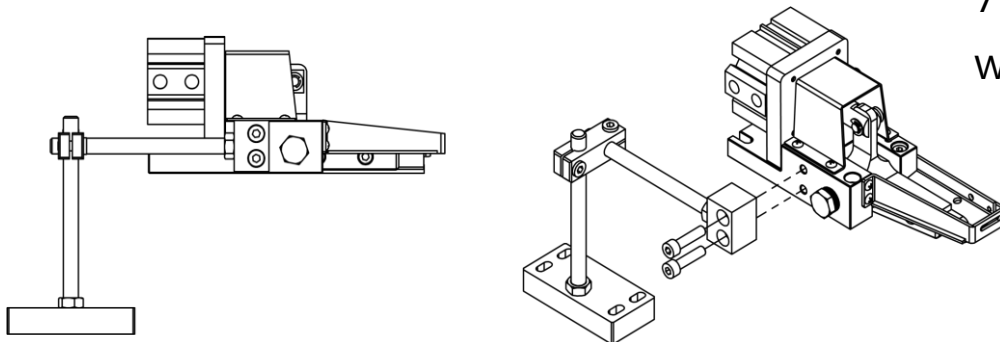
QUICK INSTALL GUIDE



5. 不須使用時，放鬆螺絲即可移動
Relax the screw to move when you don't use.



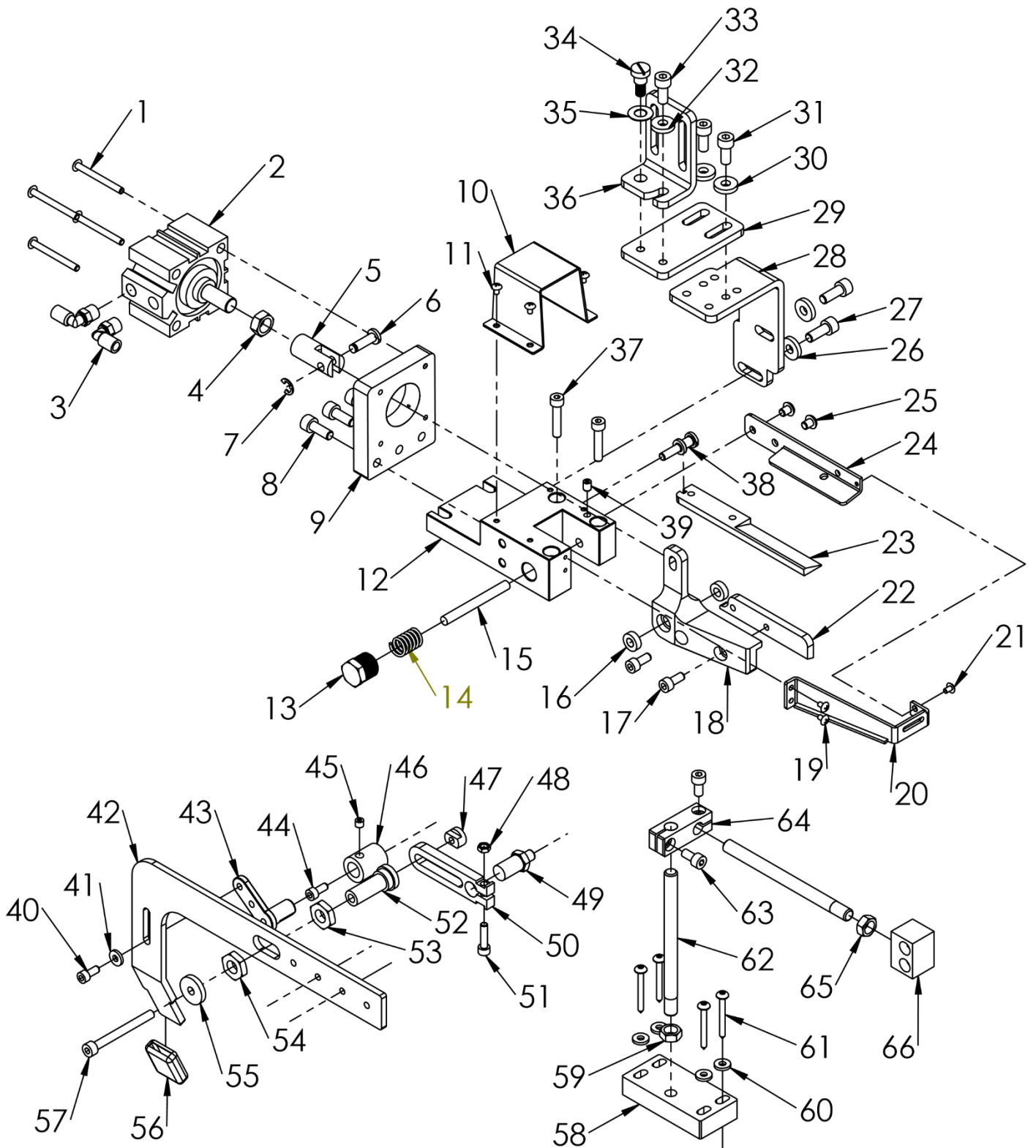
6. 不同廠牌
附有不同鐵架
Different brands
have different iron
frames.



7. 褲頭車
waistband machine

HTCM-L50分解圖

HTCM-L50 Exploded view



HTCM-L50路線圖

HTCA-L50 route map

